

I N D E X



HA series
.....02



HQ-A series
.....11



HJ series
.....20



HAL/HALG series
.....03



HP series
.....12



HPU/HPRU series
.....21



HB series
.....04



HZ/HH series
.....13



HOO series
.....22



HK/HKI series
.....05



HZBR/HHPR series
.....14



HM-3 series
.....23



HO series
.....06



HL series
.....15



CM series
.....24



HC/HCK series
.....07



HI/Hi-A series
.....16



PI09/PI04 series
.....25



HF series
.....08



HM series
.....17



HRB series
.....27



HOK-AB series
.....09



HM-8/HM-9 series
.....18



OLG/ON series
.....28



HQ series
.....10



HGI-A series
.....19



NM series
.....29

HA

series

電鍍手輪 HA 系列

CHROMIUM-PLATE HANDWHEELS



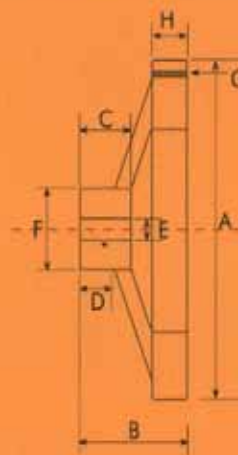
MODEL NO:

HA-110 HA-140

HA-125 HA-150

Unit:mm

Model No.	A	B	C	D	E	F	G	H	N.W.
HA -110	109	41	25	20	7	32	5/16"	12	0.66kg
HA -125	125	46	29	22	8	34	5/16"	14	1.04kg
HA -140	143	46	27	24	8	42	3/8"	14	1.18kg
HA -150	150	50	32	20	8	44	3/8"	15	1.63kg



HAL/HALG series

鋁合金手輪 HAL 系列 ALUMINUM HANDWHEELS

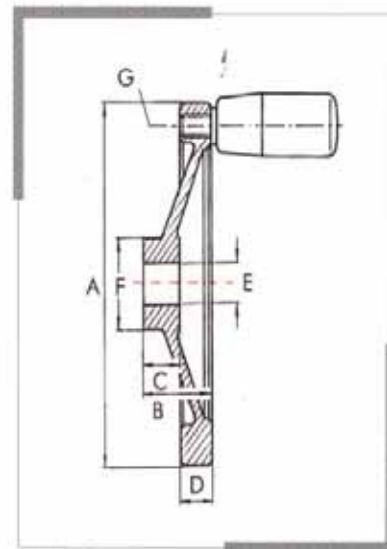


鋁合金電鍍手輪 HALG 系列 CHROMIUM-PLATE ALUMINUM HANDWHEELS



Unit:mm

Model No.	A	B	C	D	E	F	G	N.W.
HAL-80	80	30	13	13	8	30	-	03 kg
HAL-100	100	40	15	14	8	38	-	0.5 kg
HAL-125	125	42	18	15	12	38	M8	0.6 kg
HAL-140	140	42	16	16	12	38	M8	0.7 kg
HAL-160	160	45	20	18	12	40	M10	0.9 kg
HAL-200	200	56	24	20	18	48	M10	1.7 kg
HAL-250	250	58	27	22	22	52	M10	1.9 kg

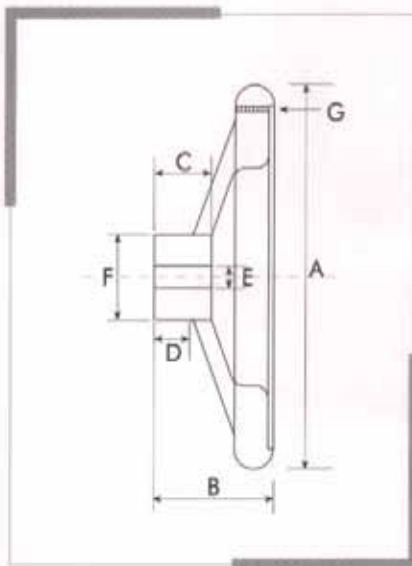


Unit:mm

Model No.	A	B	C	D	E	F	G	N.W.
HALG-80	80	26	16	13	10	26	-	0.21kg
HALG-100	100	30	17	14	10	28	-	0.31kg
HALG-125	125	37	18	15	12	31	M8	0.44kg
HALG-140	140	36	19	16	14	36	M8	0.56kg
HALG-160	160	44	20	18	14	36	M10	0.74kg
HALG-200	200	45	24	20	18	42	M10	1.43kg
HALG-250	250	51	28	22	22	48	M10	1.67kg

HB series

電鍍手輪 HB 系列 HANDWHEELS CHROMIUM-PLATE HANDWHEELS

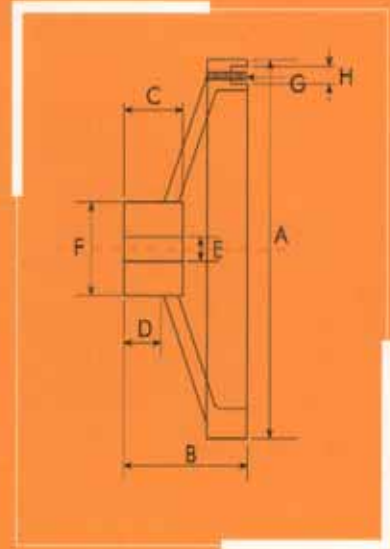


Unit:mm

Model No.	A	B	C	D	E	F	G	N.W.
HB-3	76	34	24	13	7	31	-	0.36kg
HB-3.5	89	41	25	13	7	33	-	0.5 kg
HB-4	101	43	23	13	7	40	5/16"	0.6 kg
HB-5	127	50	25	13	7	48	5/16"	1 kg
HB-6	152	53	30	18	8	50	3/8"	1.6 kg
HB-7	177	58	30	18	8	53	3/8"	1.8 kg
HB-8	203	58	31	18	8	59	3/8"	2.4 kg
HB-10	254	63	32	18	8	67	3/8"	3.6 kg
HB-12	304	72	39	21	8	70	3/8"	5.5 kg
HB-14	355	82	43	28	12	74	3/8"	7.4 kg
HB-16	406	95	47	28	12	84	3/8"	10.6kg
HB-18	460	98	46	29	13	84	3/8"	12.4kg
HB-20	520	99	46	30	14	84	3/8"	14 kg

HK/HKI series

折疊式電霧噴砂手輪 HK 系列 SAFETY HANDWHEELS



Unit:mm

Model No.	A	B	C	D	E	F	G	H	N.W.
HK-125	125	46	22	11	7	31	M6	20	1.2kg
HK-150	150	52	26	19	8	44	M6	20	1.7kg
HK-175	175	59	31	22	8	49	M6	20	2.1kg
HK-200	200	64	30	25	8	49	M6	20	3.1kg
HK-250	250	68	31	26	8	57	M6	20	4.5kg

電鍍手輪 HKI 系列 CHROMIUM-PLATE HANDWHEELS

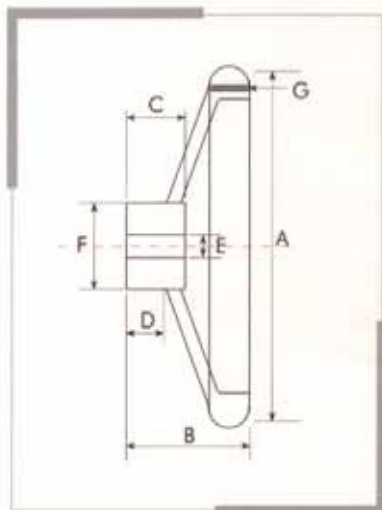


Unit:mm

Model No.	A	B	C	D	E	F	G	N.W.
HKI-125	125	46	22	11	7	31	3/8"	1.3 kg
HKI-150	150	52	26	19	8	39	3/8"	1.9 kg
HKI-175	175	59	31	22	8	49	3/8"	2.2 kg
HKI-200	200	64	30	25	8	50	3/8"	3.2 kg
HKI-250	250	68	31	26	8	57	3/8"	4.6 kg

HO series

電鍍手輪 HO 系列 CHROMIUM-PLATE HANDWHEELS



Unit:mm

Model No.	A	B	C	D	E	F	G	N.W.
HO-3	72	31	17	10	7	25	-	0.23 kg
HO-4	102	39	19	12	7	29	5/16"	0.45 kg
HO-5	122	46	27	15	7	38	5/16"	0.8 kg
HO-5.5	139	51	29	17	8	46	3/8"	1 kg
HO-6	152	52	30	20	8	46	3/8"	1.2 kg
HO-6.5	162	55	32	21	8	42	3/8"	1.25 kg
HO-7	175	57	32	18	8	50	3/8"	1.5 kg
HO-8	201	63	32	20	8	50	3/8"	2.1 kg
HO-10	248	74	35	21	8	68	3/8"	3.1 kg
HO-12	312	87	35	19	8	71	3/8"	5 kg

HC/HCK series

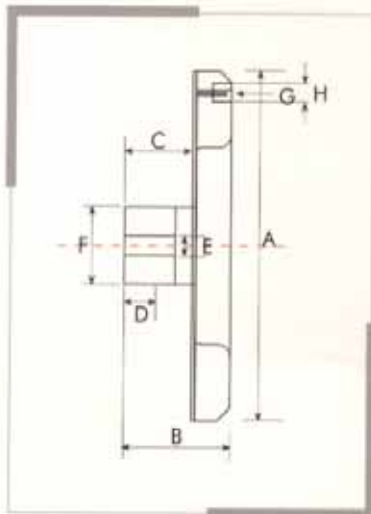
電鍍/噴砂手輪 HC/HCK 系列

CHROMIUM-PLATE / SANDBLAST-PLATE / SAFETY
HANDWHEELS



MODEL NO:

- | | |
|---------|----------|
| HC-160 | HCK-160 |
| HC-200 | HCK-200 |
| HC-160A | HCK-160A |
| HC-200A | HCK-200A |



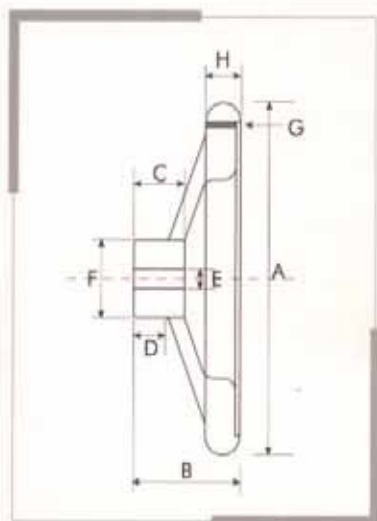
Model No.	A	B	C	D	E	F	G	H	N.W.
HC-160	160	45	33	16	8	40	3/8"	-	1.54kg
HC-160A	160	45	33	16	8	40	3/8"	-	1.54kg
HC-200	200	47	34	16	8	50	3/8"	-	2.40kg
HC-200A	200	47	34	16	8	50	3/8"	-	2.40kg
HCK-160	160	50	28	22	8	40	M6	20	1.80kg
HCK-160A	160	50	28	22	8	40	M6	20	1.80kg
HCK-200	200	52	30	22	8	50	M6	20	2.56kg
HCK-200A	200	52	30	22	8	50	M6	20	2.56kg

Unit:mm

HF series

電鍍手輪 HF 系列

CHROMIUM-PLATE HANDWHEELS



MODEL NO:

HF-150 HF-200

HF-175 HF-210

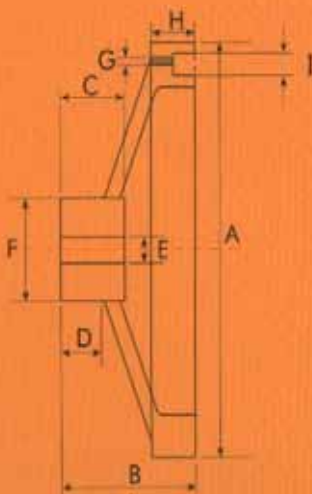
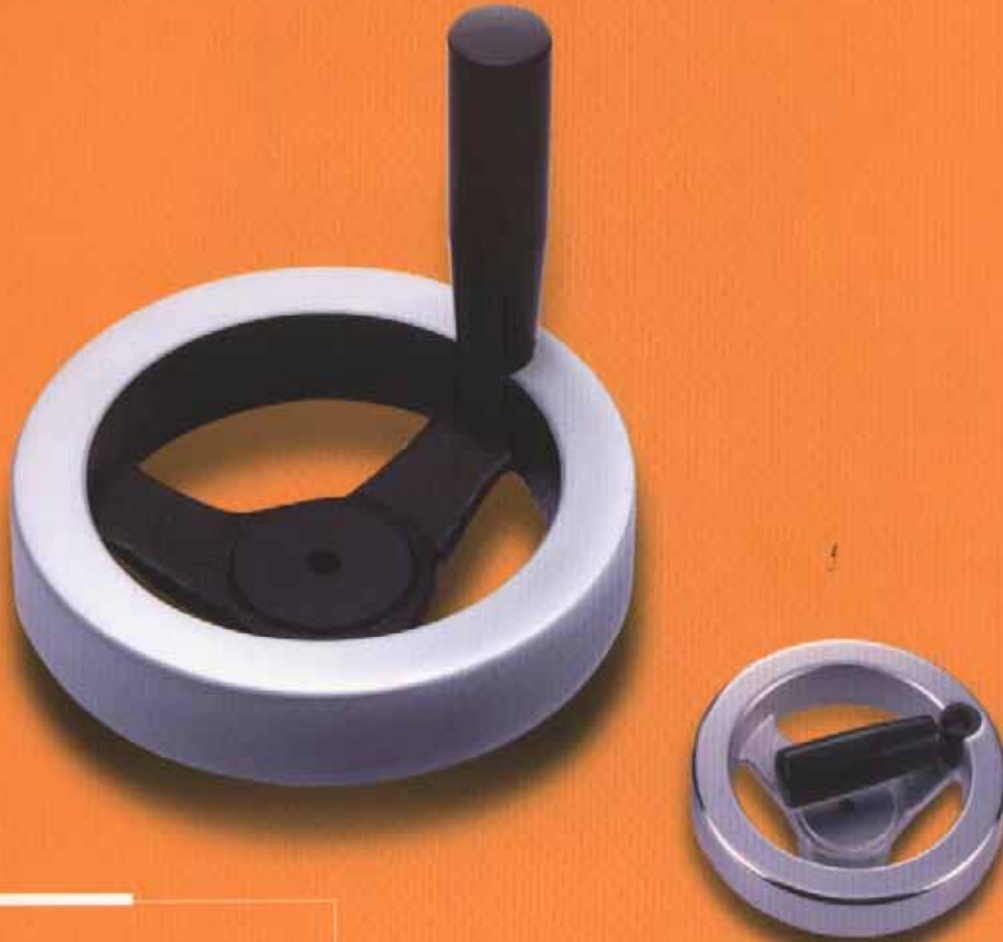
Model No.	A	B	C	D	E	F	H	G	N.W.
HF-150	150	44	29	20	8	42	19	3/8"	1.18 kg
HF-175	175	45	30	12	8	44	19	3/8"	1.55 kg
HF-200	205	51	31	23	8	47	20	3/8"	2.12 kg
HF-210	215	53	34	24	8	50	20	3/8"	2.47 kg

Unit:mm

HQK-AB series

折疊式噴砂安全手輪 HQK 系列

SANDBLAST-PLATE SAFETY HANDWHEEL

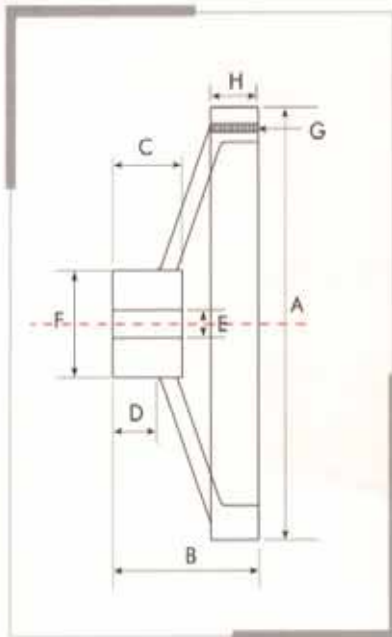
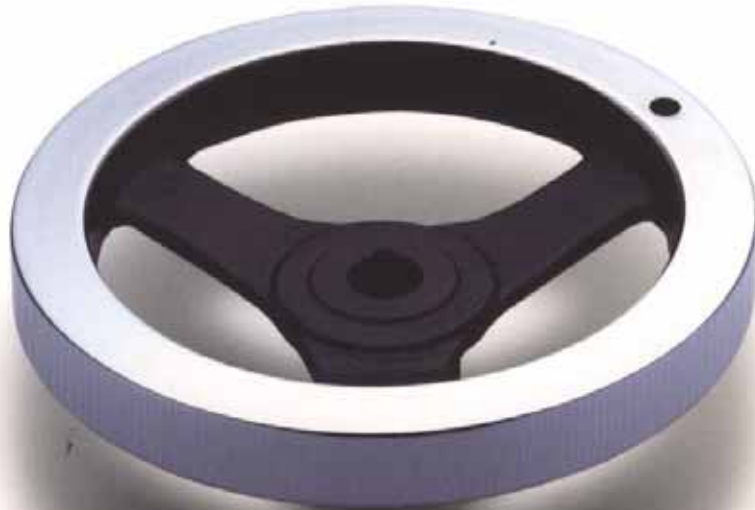


Unit:mm

Model No.	A	B	C	D	E	F	G	H	I	N.W.
HQK-150AB	150	56	29	22	8	45	M6	24	20	1.55 kg
HQK-160AB	165	60	30	22	8	46	M6	24	20	1.75 kg
HQK-175AB	175	57	31	21	8	50	M6	25	20	1.95 kg
HQK-200AB	200	57	31	25	8	50	M6	26	20	2.1 kg
HQK-230AB	230	68	40	27	8	48	M6	26	20	2.5 kg
HQK-250AB	250	62	25	22	8	68	M6	26	20	3.1 kg
HQK-300AB	300	70	39	26	8	71	M6	26	20	4.5 kg
HQK-350AB	355	80	40	24	10	76	M6	30	20	6.51 kg

HQ series

電鍍手輪 HQ 系列 CHROMIUM-PLATE HANDWHEELS

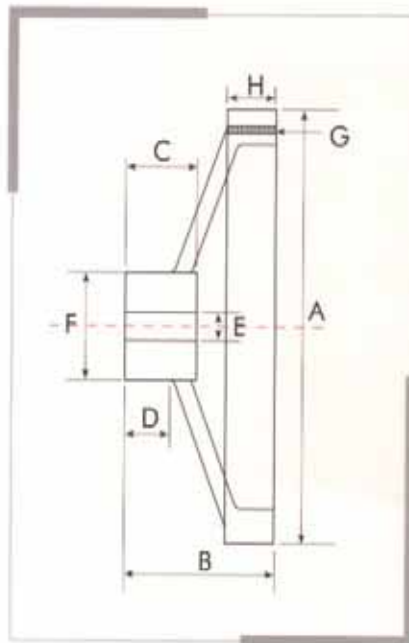


Unit:mm

Model No.	A	B	C	D	E	F	G	H	N.W.
HQ-75	75	27	18	7	7	25	-	11	0.3 kg
HQ-100	100	33	20	12	7	30	-	13	0.5 kg
HQ-125	125	43	29	19	7	36	5/16"	15	0.8 kg
HQ-150	150	53	31	23	8	46	3/8"	20	1.3 kg
HQ-160	165	56	30	23	8	47	3/8"	21	1.6 kg
HQ-175	175	51	27	19	8	51	3/8"	20	1.7 kg
HQ-200	199	55	35	23	8	50	3/8"	22	2.0 kg
HQ-230	230	63	38	27	8	47	3/8"	26	2.2 kg
HQ-250	250	61	34	22	8	68	3/8"	26	3.5 kg
HQ-300	300	70	40	27	8	70	3/8"	26	4.7 kg
HQ-350	352	79	38	25	10	76	3/8"	29	6.5 kg

HQ-A series

電霧型手輪 HQ-A 系列 SANDBLAST-PLATE HANDWHEELS

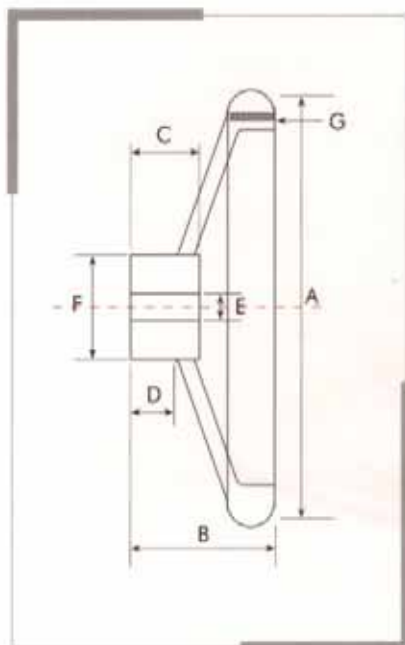


Unit:mm

Model No.	A	B	C	D	E	F	G	H	N.W.
HQ-75A	75	27	18	7	7	25	-	11	0.3 kg
HQ-100A	100	33	20	12	7	30	-	13	0.5 kg
HQ-125A	125	43	29	19	7	36	5/16"	15	0.8 kg
HQ-150A	150	53	31	23	8	46	3/8"	20	1.3 kg
HQ-160A	165	56	30	23	8	47	3/8"	21	1.5 kg
HQ-175A	175	51	27	19	8	51	3/8"	20	1.7 kg
HQ-200A	199	55	35	23	8	50	3/8"	22	2.0 kg
HQ-230A	230	63	38	27	8	47	3/8"	26	2.2 kg
HQ-250A	250	61	34	22	8	68	3/8"	26	3.5 kg
HQ-300A	300	70	40	27	8	70	3/8"	26	4.7 kg
HQ-350A	352	79	38	25	10	76	3/8"	29	6.5 kg

HP series

塑膠手輪 HP 系列 PLASTIC HANDWHEELS



Unit:mm

Model No.	A	B	C	D	E	F	G	N.W.
HP-3	88	36	23	12	8°	31	-	0.09kg
HP-4	97	44	29	16	1/2°	31	5/16°	0.11kg
HP-4.5	114	42	28	14	1/2°	32	5/16°	0.13kg
HP-5	123	45	30	16	1/2°	33	5/16°	0.16kg
HP-6	155	55	36	20	1/2°	41	3/8°	0.27kg
HP-7	178	59	42	23	5/8°	41	3/8°	0.37kg
HP-8	195	61	39	15	3/4°	35	3/8°	0.52kg
HP-10	250	91	46	31	15°	50	3/8°	0.66kg

HZ/HH series

鋁鎳合金 / 塑膠手把 HZ/HH 系列

CHROMIUM-PLATE / PLASTIC REVOLVING HANDLES

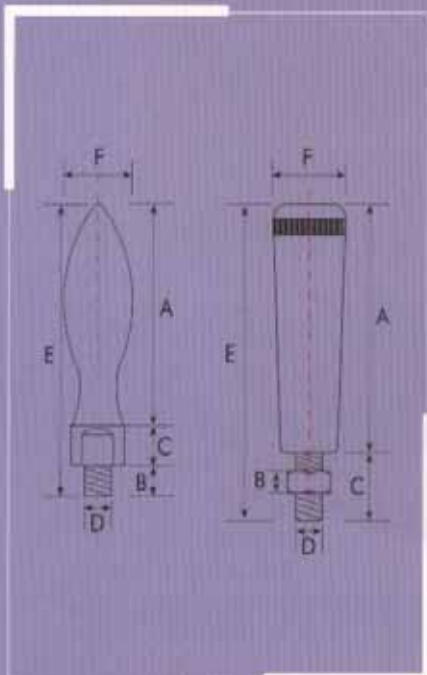


電鍍把手 HZ 系列

CHROMIUM-PLATE / PLASTIC REVOLVING HANDLES

Unit:mm

Model No.	A	B	C	D	E	F	N.W.
HZ-M6	46	10	8	M6	64	16	0.07 kg
HZ-M8	62	11	10	M8	82	20	0.1 kg
HZ-M10	75	14	13	M10	98	25	0.17 kg
HZ-M10-D	86	13	10	M10	108	25	0.2 kg
HZ-1/4	46	10	8	1/4"	64	16	0.07 kg
HZ-5/16	62	11	10	5/16"	82	20	0.1 kg
HZ-3/8	75	14	13	3/8"	98	25	0.17 kg
HZ-3/8-D	86	13	10	3/8"	108	25	0.2 kg



塑膠把手 HH 系列

PLASTIC REVOLVING HANDLES

Unit:mm

Model No.	A	B	C	D	E	F	N.W.
HH-M8	53	6	15	M8	74	19	0.05 kg
HH-M10	81	7	16	M10	103	27	0.1 kg
HH-5/16	53	6	15	5/16"	74	19	0.05 kg
HH-3/8	81	7	16	3/8"	103	27	0.1 kg

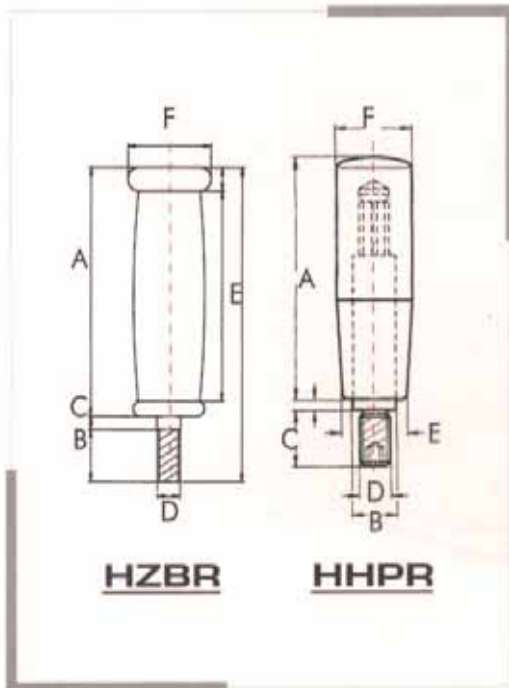
HZBR/HHPR series

軸承式/電木把手 HZBR/HHPR 系列
BEARING / PHENOL RESIN REVOLVING HANDLES



▲ HZBR

▲ HHPR



軸承式把手 HZBR 系列 BEARING REVOLVING HANDLES

Model No.	A	B	C	D	E	F	N.W.
HZBR-3/8	96	20	5	3/8"	121	35	0.4kg
HZBR-M10	96	20	5	M10	121	35	0.4kg

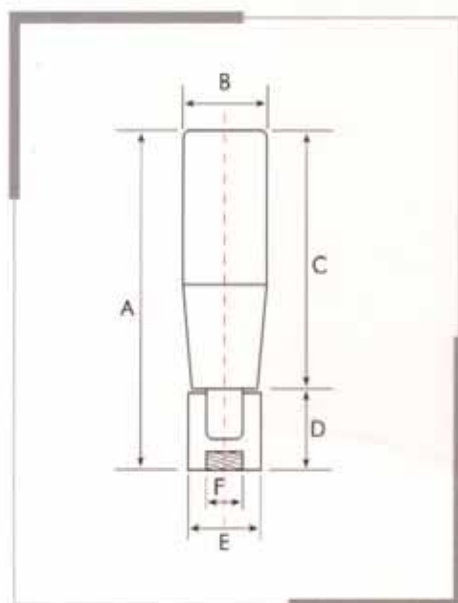
Unit:mm

電木把手 HHPR 系列 PHENOL RESIN REVOLVING HANDLES

Model No.	A	B	C	D	E	F	N.W.
HHPR-21	56	10	13	M6	18	21	0.2kg
HHPR-23	65	13	14	M8	19	23	0.3kg
HHPR-26	80	13	16	M10	21	26	0.4kg
HHPR-28	90	13	16	M10	23	28	0.5kg

HL series

折疊式電木把手 HL 系列 RETRACTABLE SAFETY HANDLES



Unit:mm

Model No.	A	B	C	D	E	F	N.W.
HL-65	88	23	68	19.5	20	M6	0.102kg
HL-80	103	26	83	19.5	20	M6	0.12kg
HL-90	112	28	92	19.5	20	M6	0.14kg

HI/HI-A series

電鍍/噴砂直柄手柄 HI/HI-A 系列

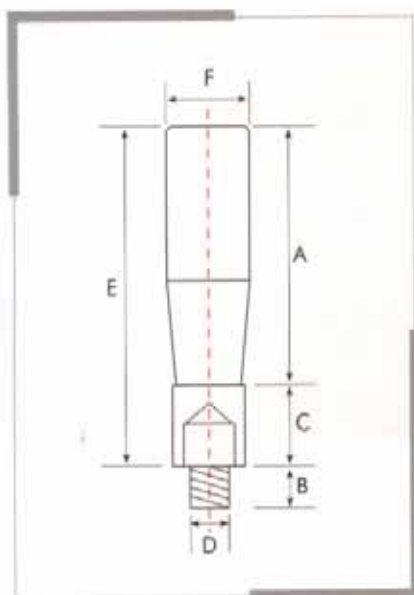
CHROMIUM-PLATE/SANDBLAST-PLATE HANDLES



電鍍把手 HI 系列

ZINC ALLOY REVOLVING HANDLES

Model No.	A	B	C	D	E	F	N.W.
HI-M6	50	10	8	M6	58	16	0.11 kg
HI-M8	62	9	8	M8	70	19	0.16 kg
HI-M10	80	12	10	M10	90	23	0.26 kg
HI-1/4	50	10	8	1/4"	58	16	0.11 kg
HI-5/16	62	9	8	5/16"	70	19	0.16 kg
HI-3/8	80	12	10	3/8"	90	23	0.26 kg



電霧把手 HIA 系列

SANDBLAST-PLATE HANDLES

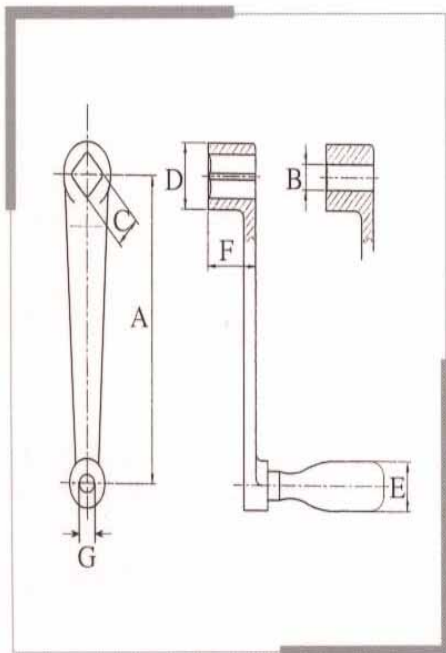
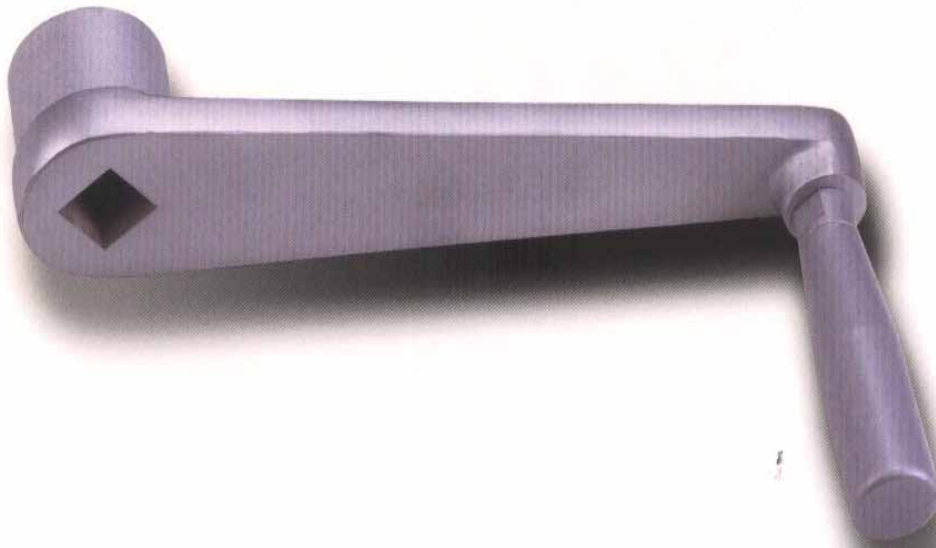
Model No.	A	B	C	D	E	F	N.W.
HI-M6A	50	10	8	M6	58	16	0.11 kg
HI-M8A	62	9	8	M8	70	19	0.16 kg
HI-M10A	80	12	10	M10	90	23	0.26 kg
HI-1/4A	50	10	8	1/4"	58	16	0.11 kg
HI-5/16A	62	9	8	5/16"	70	19	0.16 kg
HI-3/8A	80	12	10	3/8"	90	23	0.26 kg

Unit:mm

HM series

噴砂曲柄把手 HM 系列

SANDBLAST-PLATE CRANKED HANDLES



CRANKED HANDLES

Unit:mm

Model No.		A	B	C	D	E	F	G	N.W.
Bore	Square								
HM-100	HM-100-SQ	100	B10	V12	28	19	28	5/16"	0.41 kg
HM-125	HM-125-SQ	125	B10	V14	34	19	34	5/16"	0.58 kg
HM-150	HM-150-SQ	150	B14	V17	38	23	38	3/8"	0.81 kg
HM-160	HM-160-SQ	160	B14	V17	38	23	38	3/8"	1.01 kg
HM-200	HM-200-SQ	200	B17	V19	44	23	44	3/8"	1.31 kg
HM-250	HM-250-SQ	250	B17	V23	48	23	48	3/8"	1.75 kg

HM-8/HM-9 series

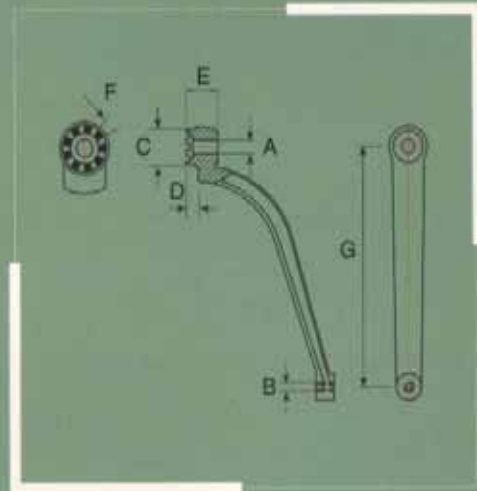
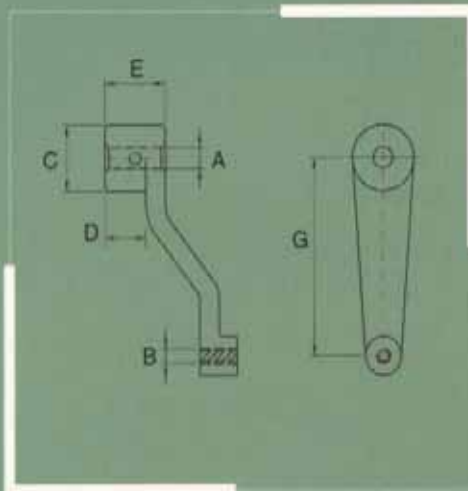
電鍍彎曲把手 HM-8/HM-9 系列
CRANKED HANDLE



▲ HM-8

▲ HM-9CC

▲ HM-9LC



Model No.	A	B	C	D	E	F	G	N.W.
HM-9	16	3/8"	40	12	35	4	195	0.8 kg
HM-9CC	16	3/8"	40	12	35	4	195	0.8 kg
HM-9L	16	3/8"	40	14	40	4	300	1.78kg
HM-9 LC	16	3/8"	40	14	40	4	300	1.78kg
HM-8	14.5	3/8"	45	30	47	-	145	1 kg
HM-8CC	14.5	3/8"	45	30	47	-	145	1 kg

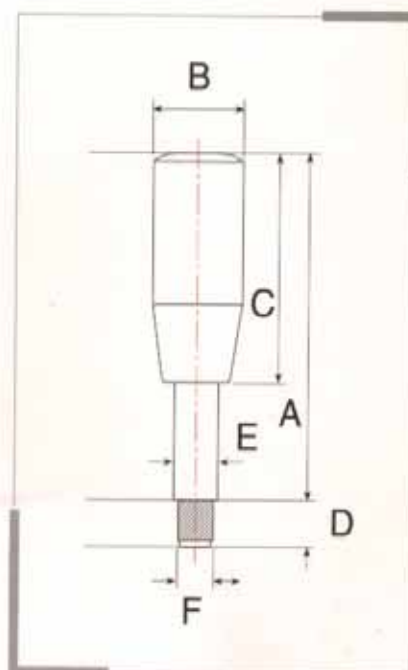
HGI-A series

噴砂螺紋握把 HGI-A 系列
GEAR LEVER HANDLES



Unit:mm

Model No.	A	B	C	D	E	F
HGI-23M10-100A	100	23	68	14	12	M10
HGI-23M10-125A	125	23	68	14	12	M10
HGI-23M10-160A	160	23	68	14	12	M10
HGI-26M12-125A	125	26	83	16	14	M12
HGI-26M12-160A	160	26	83	16	14	M12
HGI-26M12-200A	200	26	83	16	14	M12
HGI-28M14-160A	160	28	92	18	16	M14
HGI-28M14-200A	200	28	92	18	16	M14
HGI-28M14-250A	250	28	92	18	16	M14

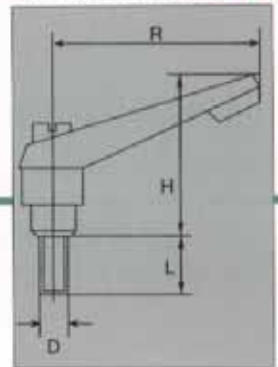
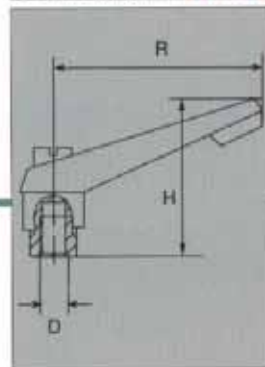


HJ series

萬向緊定把手 HJ 系列
ADJUSTABLE HAND LEVER
(鋁鋅合金) (ZINC ALLOY)

A型 114, 95, 80, 63, 45 A TYPE

B型 114, 95, 80, 63, 45 B TYPE

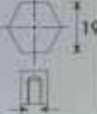
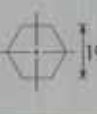
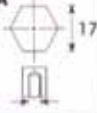
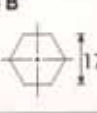
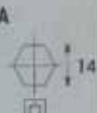
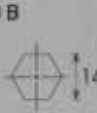
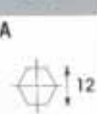
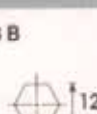

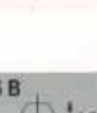


訂購舉例 (order example) :

HJ-114B — M12 x 40 — 0

- ▶ HJ- (可調位緊定把手代號 Model No.)
- ▶ 114, 95, 80, 63, 45 (手柄長度 Handle Length)
- ▶ A (內螺紋 Inside Thread), B (外螺紋 Outside Thread)
- ▶ M12 x 40 (螺紋 x 螺紋長度 Thread x Screw Length)
- ▶ O (橙色 Orange ●), B (黑色 Black ●)
- ▶ G (銀灰色 Gray ●)

Unit:mm

型號 Model No.	螺紋 Screw thread (D)	手柄長度 Handle length (R)	手柄高度 Handle height (H)	型號 Model No. 六角尺寸 Hexagonal (O.D)	螺紋 Screw thread (D)	螺紋長度 Screw length (L)	手柄長度 Handle length (R)	手柄高度 Handle height (H)
114 A 	M10 M12 M14 3/8" 1/2"	114	75	114 B 	M10 M12 M14 3/8" 1/2"	25,30,35,40,45,50,55,60, 25,30,35,40,45,50,55,60,70,80,90 30,40,50,60,70,80,90,110, 25,30,35,40,45,50,55,60, 25,30,40,45,50,55,60,70,80,90,110.	114 114 114 114 114	75
95 A 	M10 M12 M14 3/8" 1/2"	95	63	95 B 	M10 M12 3/8" 1/2"	25, 30, 35, 40, 45, 50, 60, 100, 25, 30, 35, 40, 45, 50, 60, 25, 30, 35, 40, 45, 50, 60, 25, 30, 35, 40, 45, 50, 60, 75.	95 95 95 95	63
80 A 	M10 M12 M14 3/8" 1/2"	80	55	80 B 	M8 M10 M12 5/16" 3/8" 1/2"	20, 25, 30, 35, 40, 20, 25, 30, 35, 40, 25, 30, 35, 40, 50, 20, 25, 30, 35, 40, 20, 25, 30, 35, 40, 50.	80 80 80 80 80 80	55
63 A 	M10 M12 M14 3/8" 1/2"	63	43	63 B 	M6 M8 M10 M12 1/4" 5/16" 3/8" 1/2"	16, 20, 25, 16, 20, 25, 30, 16, 20, 25, 30, 35, 30, 40, 50, 60, 16, 20, 25, 16, 20, 25, 30, 16, 20, 25, 30, 35, 30, 40, 50, 60.	63 63 63 63 63 63 63 63	43
45 A 	M5 M6 1/4"	45	30	45 B 	M5 M6 1/4"	12, 16, 20, 12, 16, 20, 25, 20, 25.	45 45 45	30

HPU/HPRU series

弓型塑膠電木把手 HPU/HPRU 系列
CABINET "U" HANDLES

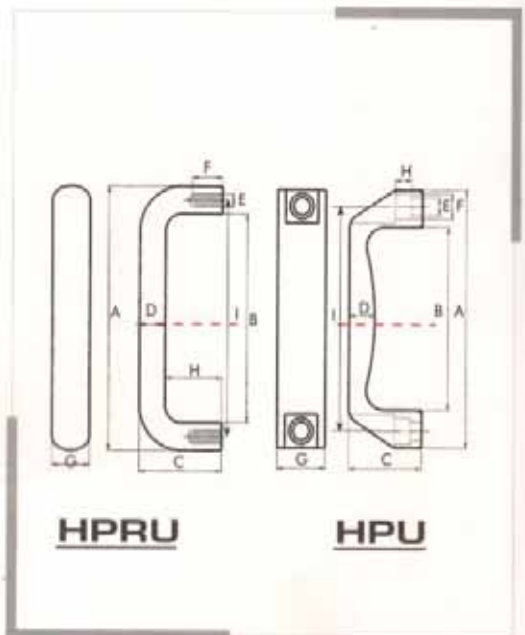


弓型電木把手 HPRU 系列
Phenol Resin Cabinet "U" handles

Model No.	A	B	C	D	E	F	G	H	I	N.W.
HPRU-119	140	102	58	20	M8	16	29	36	119	0.15 kg
HPRU-181	201	163	60	19	M8	16	29	41	181	0.18 kg
HPRU-239	258	220	60	19	M8	16	29	41	239	0.21 kg

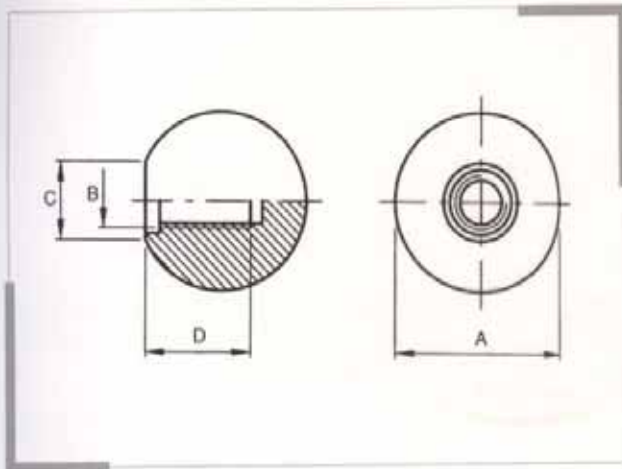
弓型塑膠把手 HPU 系列
Plastic Cabinet "U" handles

Model No.	A	B	C	D	E	F	G	H	I	N.W.
HPU-99	113	76	43	14	9	14	20	9	99	0.04 kg
HPU-114	130	90	43	14	9	14	26.5	9	114	0.06 kg
HPU-129	146	105	43	14	10	14	27	11	129	0.07 kg
HPU-118AB	136	105	38	7	M8	-	25	15	119	0.08 kg



H00 series

電木圓珠 H00 系列
PLAIN SPHERICAL KNOBS

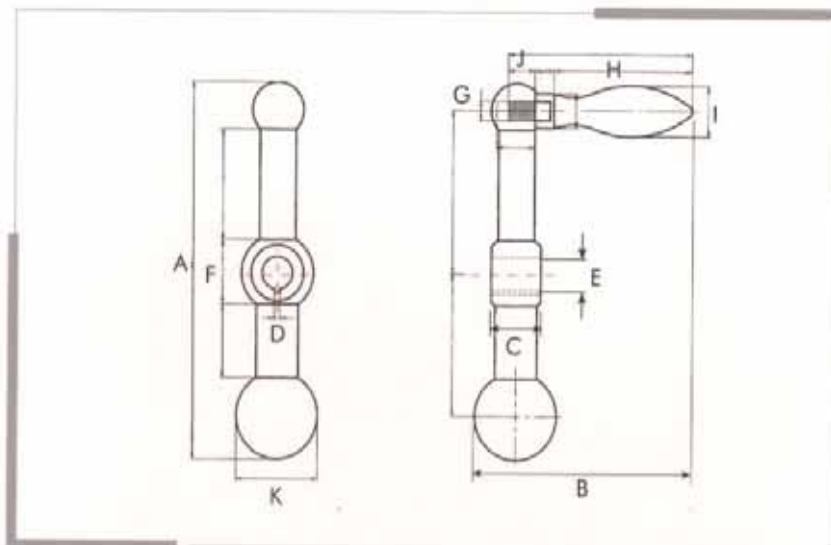


Unit:mm

Model No.	A	B	C	D	WEIGHT
H00-16-3/16	16	3/16"	8	10	5 g
H00-18-1/4	18	1/4"	11	13	6 g
H00-22-1/4	22	1/4"	11	15	8 g
H00-25-5/16	25	5/16"	11	16	11 g
H00-25-3/8	25	3/8"	11	16	10 g
H00-30-5/16	30	5/16"	14	21	16 g
H00-30-3/8	30	3/8"	14	21	15 g
H00-32-5/16	32	5/16"	14	23	23 g
H00-32-3/8	32	3/8"	14	21	22 g
H00-32-1/2	32	1/2"	14	21	21 g
H00-38-3/8	38	3/8"	16	30	35 g
H00-38-1/2	38	1/2"	16	30	34 g
H00-49-3/8	49	3/8"	20	20	75 g
H00-49-1/2	49	1/2"	20	25	72 g
H00-49-5/8	49	5/8"	20	30	68 g

HM-3 series

三球把手 HM-3 系列
TRI-BALL HANDLES

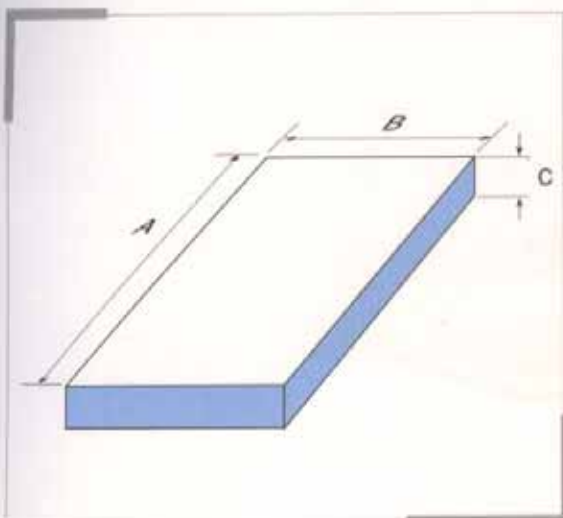
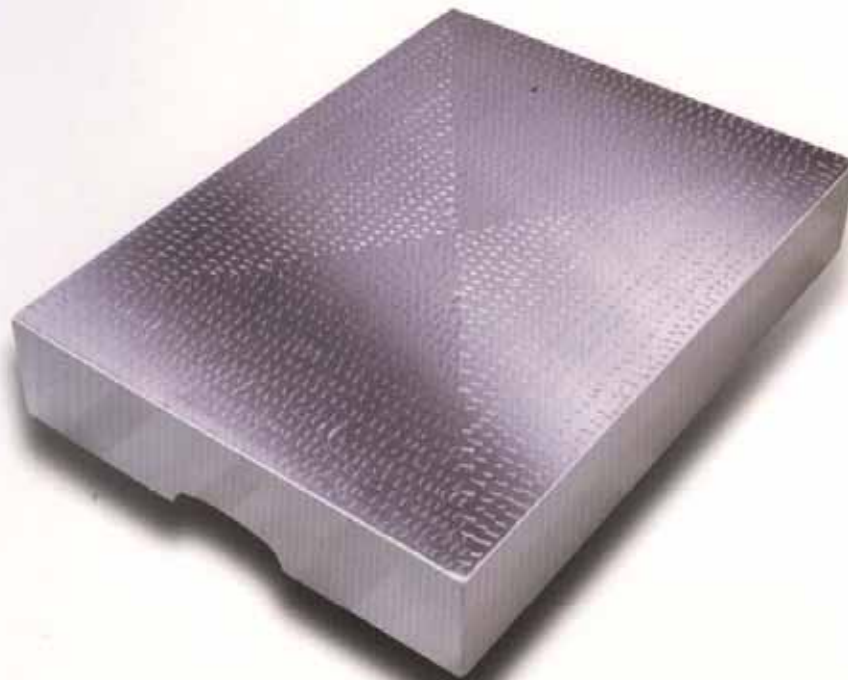


Model No.	A	B	C	D	E	F	G	H	I	J	K	Clutch	N.W.
HM-3S	94	75	18	-	14	28	M6	45	16	8	25	x	0.2 kg
HM-3M	127	92	22	-	14	36	M8	62	20	10	32	x	0.4 kg
HM-3L	185	112	27	3	5/8"	40	3/8"	75	25	13	42	x	0.75 kg
HM-3LC	185	112	29	3	5/8"	40	3/8"	75	25	13	42	o	0.8 kg

Unit:mm

CM series

鑄鐵精密定盤 CM 系列
CAST IRON POSITION TABLE



Unit:mm

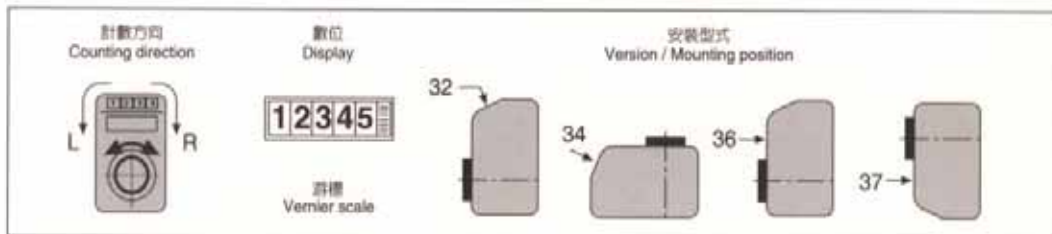
Model No.	A	B	C	精度 ±F _v	WEIGHT
CM-12 x 12	300	300	60	0.01	15 kg
CM-18 x 12	450	300	60	0.01	25 kg
CM-24 x 18	600	450	100	0.02	60 kg
CM-24 x 24	600	600	100	0.02	79 kg
CM-24 x 36	600	900	110	0.03	120 kg
CM-40 x 40	1000	1000	125	0.03	277 kg
CM-48 x 36	1200	900	150	0.03	290 kg
CM-60 x 40	1500	1000	160	0.04	560 kg
CM-80 x 40	2000	1000	180	0.04	810 kg

PI09 / PI04 series

位置計數器 DIO9/PI04 系列 POSITION INDICATOR



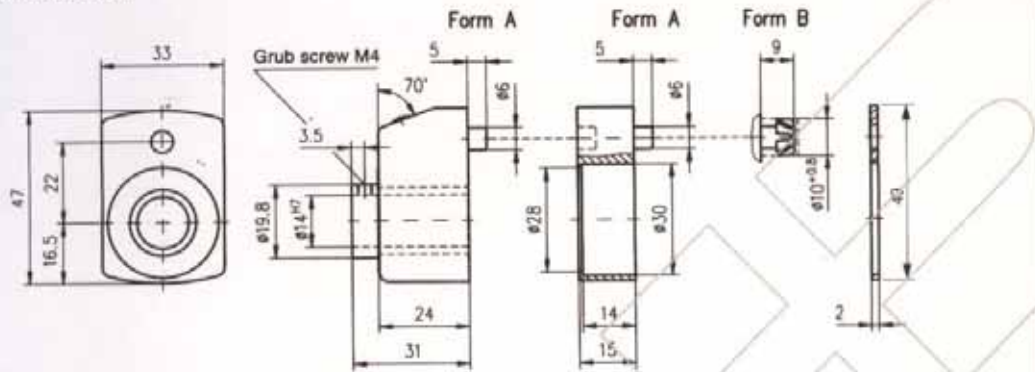
數字讀取與轉動方向 COUNTING & READING DIRECTION:



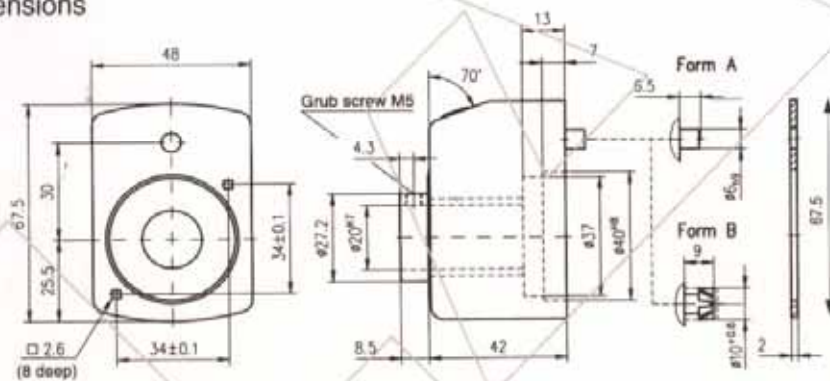
軸導程(mm) Counting direction	每轉指示量 Indi / Rev	每轉指示量 Indi / Rev	每轉指示量 Indi / Rev	最高轉速(RPM) Max. speed
0.5	0005.0	000.50	00005	1000
1	0001.0	000.10	00010	1000
1.5	0001.5	000.15	00015	750
2	0002.0	000.20	00020	750
2.5	0002.5	000.25	00025	600
3	0003.0	000.30	00030	500
4	0004.0	000.40	00040	450
5	0005.0	000.50	00050	300
6	0006.0	000.60	00060	250
8	0008.0	000.80	00080	180
10	0010.0	001.00	00100	150

Unit:mm

PI-04 Dimensions



PI-09 Dimensions



訂購舉例： ORDERING GUIDE:

P109 - 32 - 2.0 - R

- ▶ PI 09 - (位置計數器代號 Model No.)
- ▶ 32 - (數位讀取方向 Reading Direction)
- ▶ 2.0 - (轉動軸導程距 Shaft Lead)
- ▶ R (轉動方向 Counting Direction)

規格： SPECIFICATIONS:

重量：PI04 0.05kg
PI09 0.1 kg

外殼構成：耐衝撞耐龍及
工程塑膠
使用溫度：Max.80°C
字形高度：約6mm

Weight : PI04 0.05kg
PI09 0.1 kg

Housing : Impact resistance Nylon &
engineering plastic
Allowable Temperature : Max.80°C
Digit Height : 6mm (approx)

HRB series

刻度指示錶 HRB 系列 POSITION GAUGE



電木手輪 HRB 系列

PHENOL RESIN HANDWHEELS

HRB-Y72

HRB-100

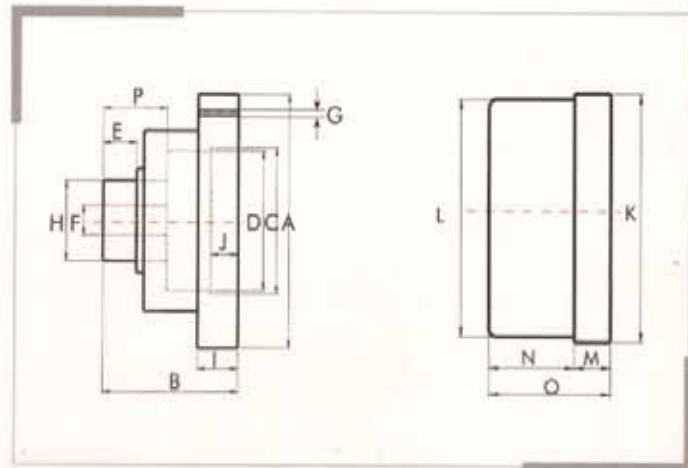
HRB-125

刻度指示表 HR-B 系列

(刻度減速比)

INTERNAL REDUCTION
RATIO

20:1 25:1 30:1 36:1



Unit:mm

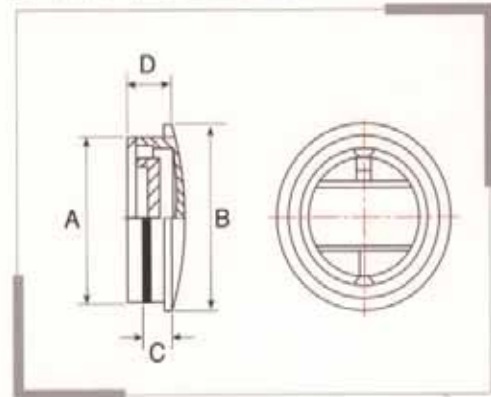
Model No.	A	B	C	D	E	F	G	H	I	J	K	L	M	N	O	P	N.W
HRB-Y72	72	49	58	55	13	10	-	26	16	11	-	-	-	-	-	14	0.2kg
HRB-100	100	62	58	55	15	12	-	32	17	11	-	-	-	-	-	35	0.32kg
HRB-125	125	69	58	55	20	20	M8	34	18	11	-	-	-	-	-	35	0.4kg
HR-B (ratio)	-	-	-	-	-	-	-	-	-	-	57	54.5	10	20	30	-	0.1kg

OLG / ON series

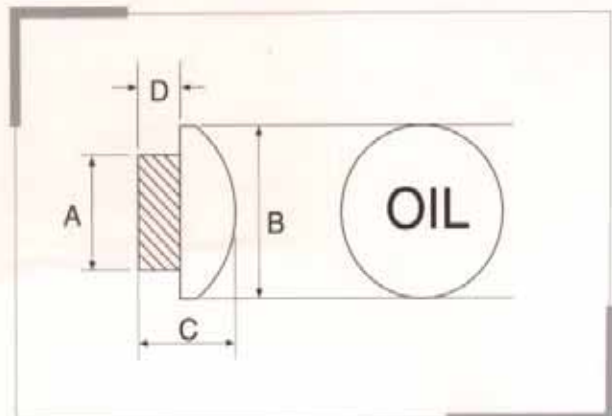
油位表/油螺帽 OLG/ON 系列 OIL LEVEL GAUGE AND OIL NUT SERIES



油位表 OLG SERIES



油螺帽 OIL NUT SERIES



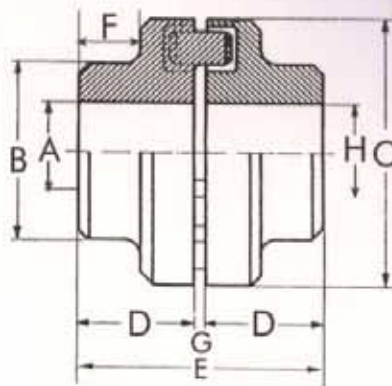
Unit:mm

Model No.	A	B	C	D	WEIGHT
OLG-19	19	24	12	8	0.01 kg
OLG-29	29	32	13	9	0.01 kg
OLG-48	48	50	15	10	0.02 kg
ON-19	1/2" 牙	19	18	12	0.05 kg
ON-23	5/8" 牙	23	12	6	0.06 kg
ON-32	3/4" 牙	32	20	11	0.08 kg

NM series

撓性聯軸器 NM 系列 SUPER FLEXIBLE COUPLINGS

- ▶ High grade cast iron (FC-25) withstands more sudden torque changes.
- ▶ Special rubber material offers high friction and heat resistance.
- ▶ Low noise running.
- ▶ Fast, convenient and economical change of rubber component.
- ▶ 採用 FC-25 高材質鑄鐵，可承受更高的瞬間扭力。
- ▶ 採耐磨損、耐熱特殊橡膠，確保傳動順暢，延長傳動壽命。
- ▶ 大幅抑制運轉噪音。
- ▶ 更換方便，成本低廉。



Unit:mm

型號 Model No.	中心小孔 Centre bore (A)	容許孔內(H)直徑 Bore diameter		連軸爪數 Teeth	本體宅徑 Boss diameter (B)	本體外徑 diameter (C)	宅徑高度 Boss height (F)	單邊高度 One side height (D)	整相高度 All height (E)	單邊重量 kg	整相淨重 Net kg
		最小值 Min.	最大值 Max.								
NM-50	6	8	19	4	33	50	13	25	52	0.22	0.45
NM-67	8	10	28	4	46	67	15	30	62.5	0.45	0.92
NM-82	8	10	32	4	53	82	24	40	83	0.82	1.68
NM-97	10	12	42	5	69	97	30	50	103	1.65	3.37
NM-112	15	19	48	6	79	112	38	60	123.5	2.49	5.05
NM-128	21	24	55	6	90	128	45	70	143.5	3.86	7.86
NM-148	15	18	65	7	107	148	52	80	163.5	6.05	12.35
NM-168	25	28	75	8	124	168	56	90	183.5	8.95	18.35
NM-194	30	32	85	9	140	194	62	100	203.5	13.1	26.45
NM-214	35	38	95	9	157	214	68	110	224	18.3	36.9

型號 Model No.	扭力值 Torque		最高轉速 Max. R.P.M.	二軸允許公差值 Permissive tolerance between shafts			慣性力矩 GD ² value for kg-m ²
	建議正常扭力值 Normal TK Nm	最大扭力值 Max. TK Nm		軸向公差 (G) Axial	徑向公差 Radial	角度公差 Angle	
NM-50	1.4	2.3	12,500	2±0.5	0.6±0.2	2°	0.0001
NM-67	2.3	4	10,000	2.5±0.5	0.8±0.2	2°	0.0002
NM-82	5.2	9	8,000	3±1	0.8±0.2	2°	0.0006
NM-97	10.8	19	7,000	3±1	1±0.2	2°	0.0016
NM-112	17.3	30	6,000	3.5±1	1±0.2	2°	0.0032
NM-128	27.8	48	5,000	3.5±1	1.2±0.2	2°	0.0065
NM-148	42.7	75	4,500	3.5±1	1.2±0.2	2°	0.0135
NM-168	71.2	125	4,000	3.5±1.5	1.2±0.2	2°	0.0258
NM-194	114.6	201	3,500	3.5±1.5	1.5±0.2	2°	0.0518
NM-214	171	300	3,000	4±2	1.5±0.2	2°	0.0855

HE series



全密手輪 **HANDWHEELS**
MODEL NO:
HE-80 HE-110
HE-100

HQM series



偏心手輪 **HANDWHEELS**
MODEL NO:
HQM-175A HQM-250A
HQM-240A HQM-300A

HY series



花型手輪 **HANDWHEELS**
MODEL NO:
HY-3

PM / PL series



傳動皮帶輪
V-PULLEY
MODEL NO:
PM-SPA, SPB, SPC
PL-SPA, SPB

MC series



超強力冷卻泵浦
POWERFUL COOLING PUMP
CE  IP-54

DC series



鋁合金撓性聯軸器
FLEXIBLE COUPLINGS
MODEL NO:
DC-40 DC-65
DC-55 DC-80

HM-V series



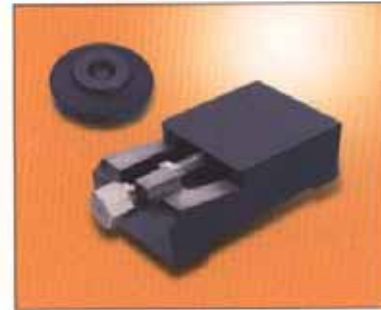
銑床墊高圈
CAST IRON RISER
MODEL NO:
HM-V-4 HM-V-6
HM-V-8

SS series



螺桿固定座
SCREWING STAND
MODEL NO:
SS-SH50
SS-SH99

SAC series



水平調整座
ADJUSTABLE LEVEL BASE
MODEL NO:
SAC-170 X 100
SAC-4 (pad)